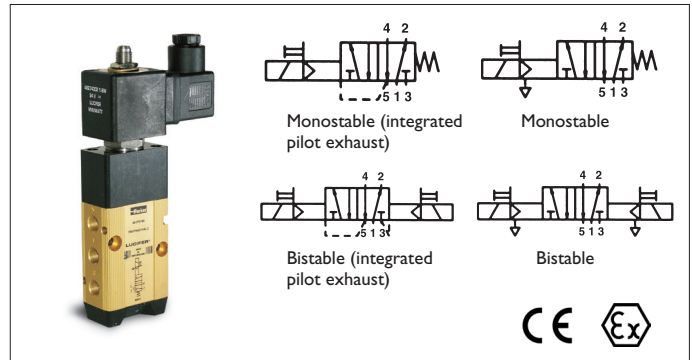


# SOLENOID VALVE

## Lucifer 341-347 P

G 1/8" - 1/4"  
For pneumatic control

- Applications:** Pneumatic control.
- Module system:** Choose valve and desired coil within the same coil group, see leaflet for the coil. Table below refers to standard coil.
- Function:** 5/2 pilot operated
- Valve body:** Aluminium
- Ambiente temp:** See information for choosen coil, see separate leaflet.
- Protection class:** IP 10 - IP 67 depending on coil,
- Optional:** Ex-version for coil group 1.1, e.g. 482606 Ex mb IIC T4  
Ex-version for coil group 2.1, e.g. 495905 Ex db mb IIC T4  
Ex-version for coil group 8.0, e.g. 495910 Ex ia IIC T4.  
DIN with LED / moulded cable.  
Speed restrictor with silencer.



### 5/2 - Monostable

Port size (G")	Orifice (mm)	Flow factor (l/min)	Pressure drop Δ p (bar)			Media temperature		Sealing	Valve	Housing / Connection	Coil	Power (W)		Coil group	Fig
			Min	Max		Min °C	Max °C					AC	DC		
				AC	DC										
1/8	4	600	2	10	10	-25	+80	Nitril	341P01	DIN	488980	2	2,5	1.1	A
			2	10	10	-25	+80	Nitril	341P21	DIN	481865	8	9	2.1	B
			2	10	10	-40	+65	PUR	341P2108	DIN	481865	8	9	2.1	B
			2	-	10	-25	+80	Nitril/PUR	341P2197	DIN	482740	-	1,6	6.0 / 8.0	M
			2	-	10	-10	+55	Nitril	341P2190	DIN	483580.01	-	0,5	7.0	C
1/4	8	1400	2	10	10	-25	+80	Nitril	341P02	DIN	488980	2	2,5	1.1	D
			2	10	10	-25	+80	Nitril	341P22	DIN	481865	8	9	2.1	E
			2	-	10	-20	+80	Nitril/PUR	341P2297	DIN	482740	-	1,6	6.0 / 8.0	N
			2	-	10	-25	+55	Nitril	341P2290	DIN	483580.01	-	0,5	7.0	F

### 5/2 - Impulse control

Port size (G")	Orifice (mm)	Flow factor (l/min)	Pressure drop Δ p (bar)			Media temperature		Sealing	Valve	Housing / Connection	Coil	Power (W)		Coil group	Fig
			Min	Max		Min °C	Max °C					AC	DC		
				AC	DC										
1/8	4	600	2	10	-	-25	+80	Nitril	345P21	4269	484990	11	-	4.0	G
			2	-	10	-25	+80	Nitril				4269	485400	-	13

### 5/2 - Bistable

Port size (G")	Orifice (mm)	Flow factor (l/min)	Pressure drop Δ p (bar)			Media temperature		Sealing	Valve	Housing / Connection	Coil	Power (W)		Coil group	Fig
			Min	Max		Min °C	Max °C					AC	DC		
				AC	DC										
1/8	4	400	2	10	10	-25	+80	Nitril	347P01	DIN	488980	2	2,5	1.1	H
			2	10	10	-25	+80	Nitril	347P21	DIN	481865	8	9	2.1	I
			2	-	10	-25	+55	Nitril	347P2190	DIN	483580.01	-	0,5	7.0	J
1/4	8	1400	2	10	10	-25	+80	Nitril	347P02	DIN	488980	2	2,5	1.1	K
			2	10	10	-25	+80	Nitril	347P22	DIN	481865	8	9	2.1	L

# SOLENOID VALVE

## Lucifer 341-347 P

G 1/8" - 1/4"  
For pneumatic control

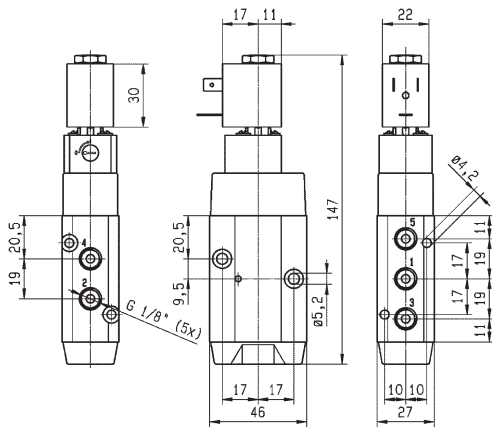


Fig A

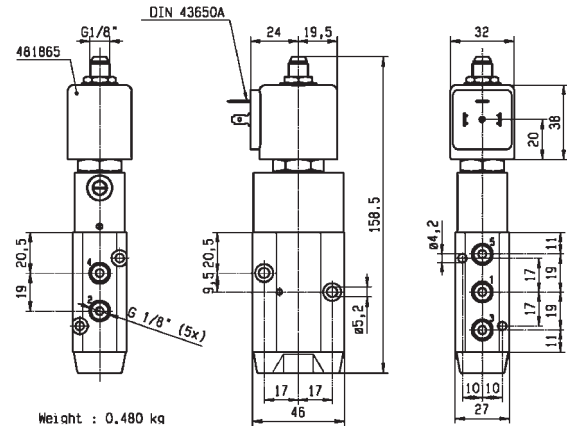


Fig B

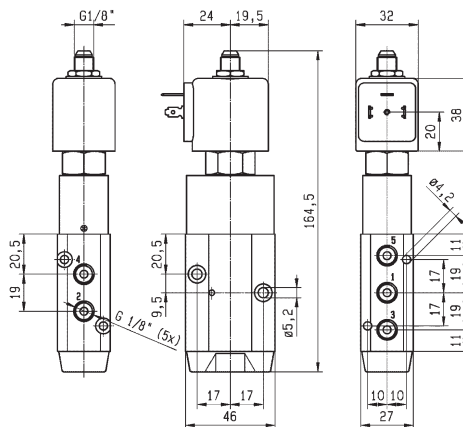


Fig C

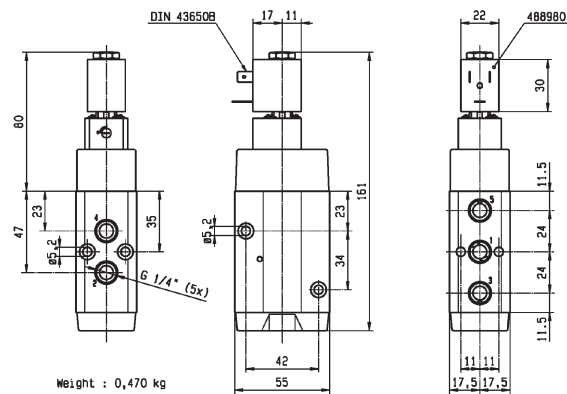


Fig D

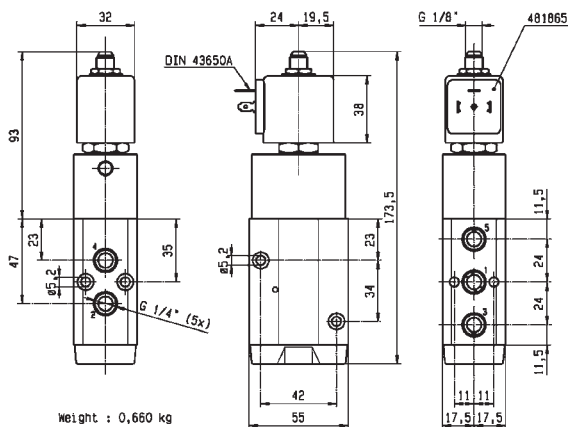


Fig E

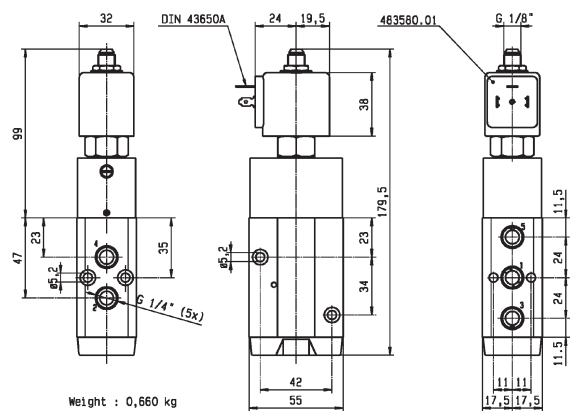


Fig F

# SOLENOID VALVE

## Lucifer 341-347 P

G 1/8" - 1/4"  
For pneumatic control

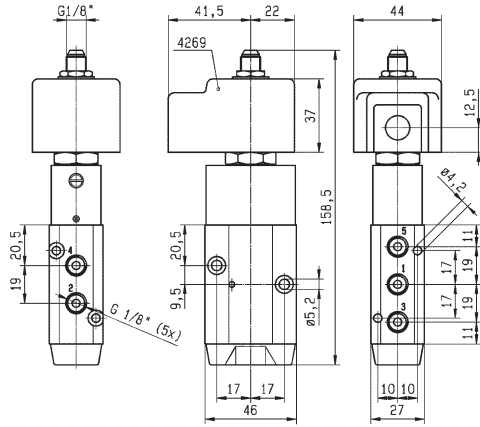


Fig G

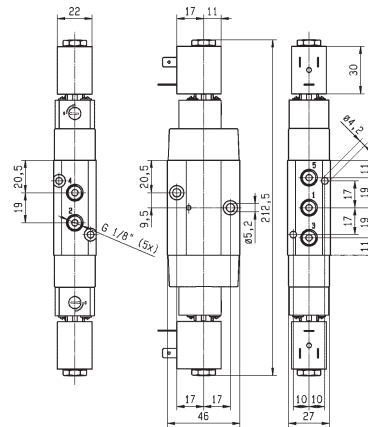


Fig H

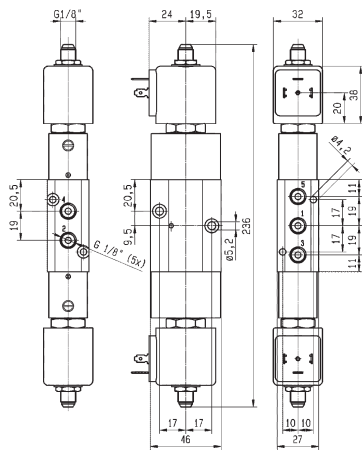


Fig I

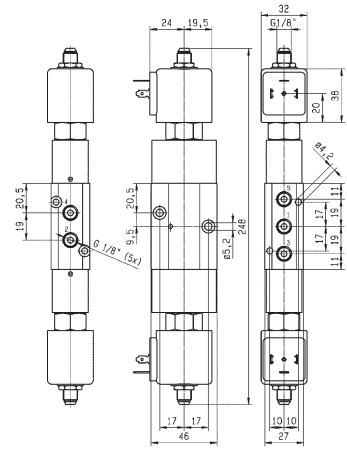


Fig J

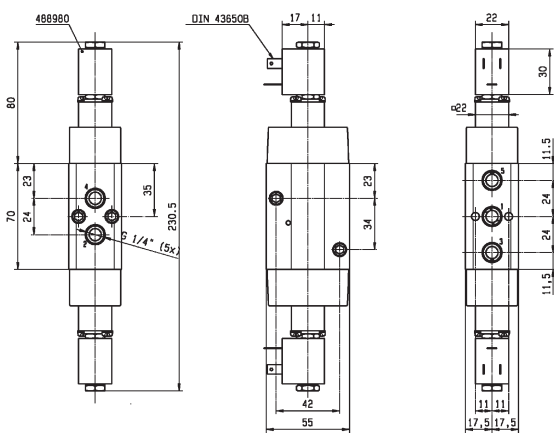


Fig K

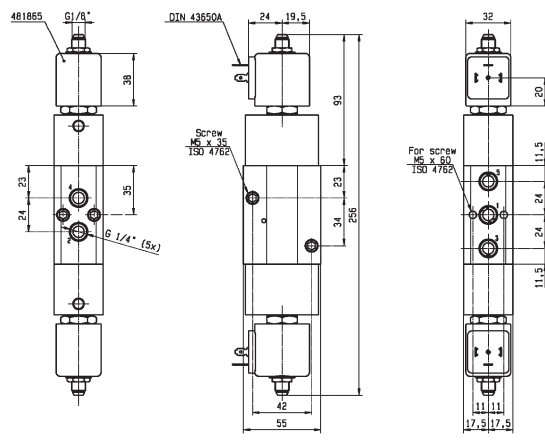


Fig L

# SOLENOID VALVE

## Lucifer 341-347 P

G 1/8" - 1/4"  
For pneumatic control

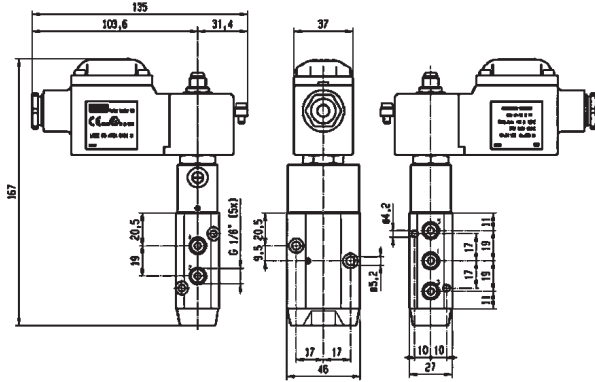


Fig M

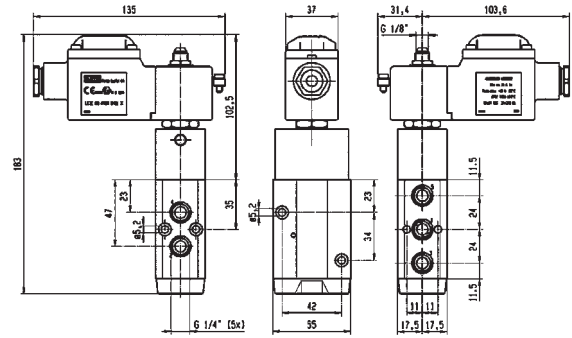


Fig N