

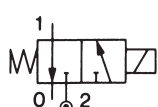
3/2 VALVES

Lucifer I31 - I33 K

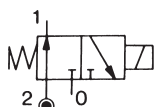
Direct operated

G 1/8" - 1/4"

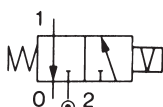
Orifice: 0.8 - 2.5 mm
Port size: G 1/4"-1/8"
Max. pressure drop: 75 bar
Material body: Brass
Max ambiente temp: +50°C
Max media temp: +10°C - +130°C
Protection: IP 65 alt. IP 67
Media: Non-lubricated air, lubricated air, inert gases and liquids.



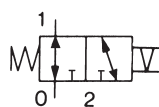
Normally closed



Normally open



Magnetic latch control



Universal

Normally closed

Valve	Port size (G)	Orifice size (mm)	Flow factor (l/min)		Seat disc	Coil	Power (W)		Pressure drop Δ p (bar)		Max media temperature (°C)				
			Gas Qn	Liquid Kv			DC	AC	Min	Max		Gas	Liquid	Hydraulic oil	Fuel oil
										DC	AC				
I31 K 13	1/8	2.5	220	3.5	VITON	481865 ²⁾	8	8	0	7	7	100	100	100	-
I31 K 05	1/4	0.8	20	0.3	PCTFE	481865 ²⁾	9	8	0	40	40	75	75	75	-
I31 K 6		0.8	24	0.3	RUBIN	481000 ²⁾	-	8	0	-	75	130	130	130	130
						486265	14	-	0	75	-	140	140	140	140
I31 K 64		1.2 (1.5)	50 (80)	0.8 (1.6)	RUBIN	481000 ²⁾	-	8	0	-	30	130	130	130	130
						486265	14	-	0	30	-	140	140	140	140
I31 K 04 ¹⁾		1.5	80	1.6	VITON	481865 ²⁾	9	8	0	15	15	100	100	100	-
I31 K 0497		1.5	80	1.6	VITON	482740 ³⁾	1.6	-	0	7	-	75	75	-	-
I31 K 06		2 (2.5)	140 (220)	2.5 (3.5)	VITON	481865 ²⁾	9	8	0	10	10	100	100	100	-
I31 K 03 ¹⁾		2.5	220	3.5	VITON	481865 ²⁾	9	8	0	7	7	100	100	100	-
I31 K 0397		2.5	220	3.5	VITON	482740 ³⁾	1.6	-	0	2	-	75	75	-	-
	481865 ²⁾					9	8	0	7	7	100	100	100	100	
I31 K 63	2.5	220	3.5	RUBIN	481865 ²⁾	9	8	0	7	7	100	100	100	100	
					481000	8	8	0	7	7	130	130	130	130	

¹⁾ Manually operated on request ²⁾ 495905, EEx dm II CT4. ³⁾ Also coil 495900, EEx dm II CT6 or 495910 EEx ia IIC T6 Booster. Values within brackets only for direction I->0.

Universal

Valve	Port size (G)	Orifice size (mm)	Flow factor (l/min)		Seat disc	Coil	Power (W)		Pressure drop Δ p (bar)		Max media temperature (°C)				
			Gas Qn	Liquid Kv			DC	AC	Min	Max		Gas	Liquid	Hydraulic oil	Fuel oil
										DC	AC				
I33 K 05	1/4	0.8	25	0.3	VITON	481865 ²⁾	9	8	0	30	30	100	100	100	-
I33 K 04 ¹⁾		1.5	80	1.5	VITON	481865 ²⁾	9	8	0	10	10	100	100	100	-
I33 K 06 ¹⁾		2	140	2.5	VITON	481865 ²⁾	9	8	0	7	7	100	100	100	-
I33 K 03 ¹⁾		2.5	220	3.5	VITON	481865 ²⁾	9	8	0	4	4	100	100	100	-

¹⁾ Manually operated on request ²⁾ 495905, EEx dm II CT4

3/2 VALVES

Lucifer 131 - 133 K

Direct operated

G 1/8" – 1/4"

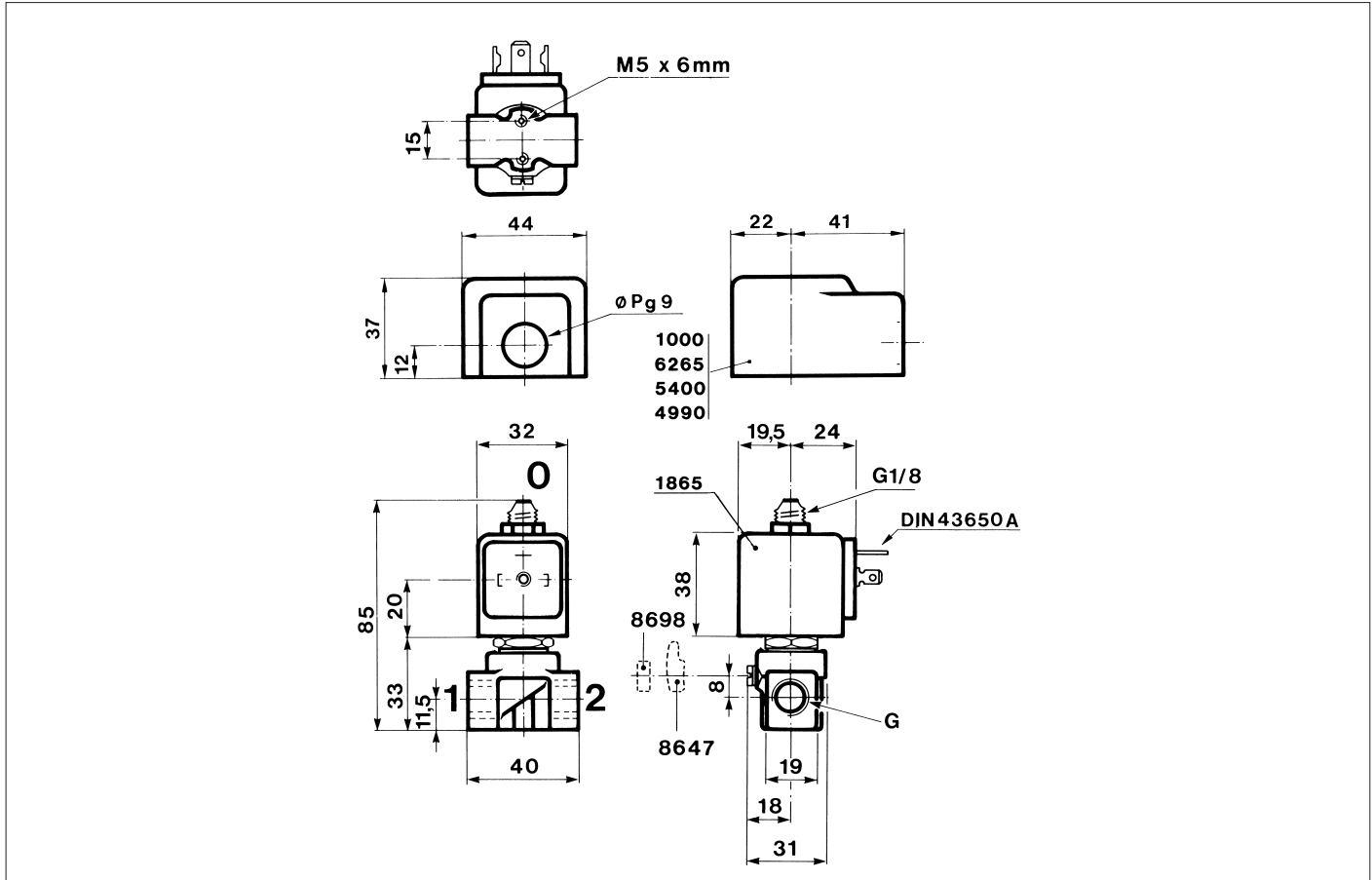
Magnetic latch control

Valve	Port size (G)	Orifice size (mm)	Flow factor (l/min)		Seat disc	Coil	Power (W)		Pressure drop Δ p (bar)			Max media temperature (°C)			
			Gas Qn	Liquid Kv			DC	AC	Min	Max		Gas	Liquid	Hydraulic oil	Fuel oil
										DC	AC				
135 K 03	1/4	2.5	220	3.5	FKM	485400	13	-	0	7	-	100	100	100	-
						484990	-	11	0	-	7	100	100	100	-

Normally open

Valve	Port size (G)	Orifice size (mm)	Flow factor (l/min)		Seat disc	Coil	Power (W)		Pressure drop Δ p (bar)			Max media temperature (°C)			
			Gas Qn	Liquid Kv			DC	AC	Min	Max		Gas	Liquid	Hydraulic oil	Fuel oil
										DC	AC				
132 K 06	1/4	2	125	1.8	FKM	481865	9	8	0	10	10	100	100	100	-
132 K 03		2.5	160	2.2	FKM	481865	9	8	0	7	7	100	100	100	-

Ordering example: 133 K 06 - 481865 - 230V/50 Hz (Valve - Coil - Voltage)



Telephone +46 10 455 97 00 • sales@axel-larsson.se • www.axel-larsson.se

STOCKHOLM | GÖTEBORG | MOTALA | KARLSTAD | FALUN | SKELLEFTÅ

Head Office: Truckvägen 12, P.O. Box 805, SE-194 28 Upplands Väsby (Stockholm), Sweden.