

2.2.1.2 32 mm Miniwatt Coil

6



This reduced power coil is compatible with certain types of Lucifer solenoid valves only. This is an encapsulated assembly comprising a coil, integral magnetic iron path and snap-on plug connection. The synthetic material encapsulation provides an effective compact housing, offering full protection against dust, oil, water, etc. Ease of mounting in confined space - offers shock and corrosion protection - simplifies conversion of existing equipment to other requirements, etc.



This coil conforms to the IEC/CENELEC safety standards and complies with European low-voltage directive 73/23/EC.

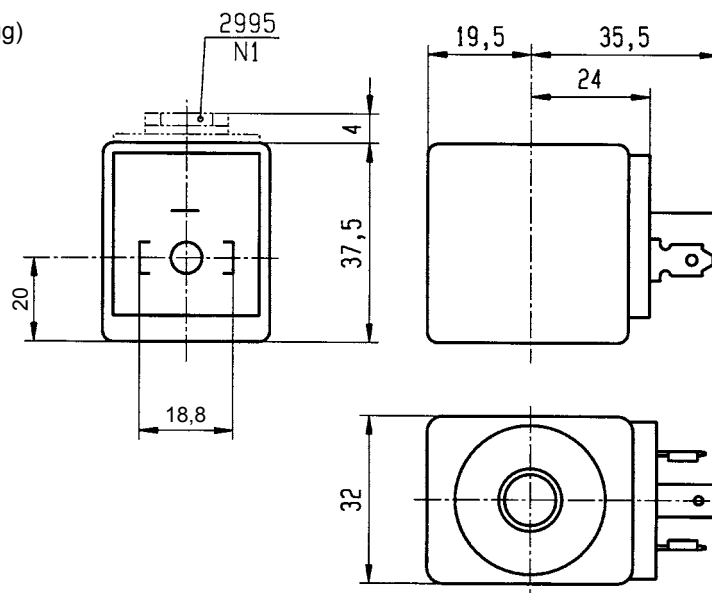
Specification		Miniwatt	
Reference (without DIN plug) Reference (with DIN plug)		482740 or DZ10 482745 or DZ11	
Degree of protection		IP65 according to IEC / EN 60529 standards (with DIN plug)	
Class of insulation		F 155°C	
Electrical connection		The coil is connected with a 2 P + E plug according to DIN 43650 type A	
Ambient temperature		- 40 °C to +50 °C The application is limited also by the temperature range of the valve	
Elect. Power	DC	P_n (hot)	1.6 W
		P (cold) 20°C	2.1 W
	AC	P_n (holding)	-
		Attraction cold	-

Voltage tolerance: - 10% to + 10% of the nominal voltage

Duty: continuous duty coil (ED 100%)

Voltages: see voltage code table

Weight: 130 g (without plug)



AXEL LARSSON

www.axel-larsson.se

Head Office Axel Larsson Maskinaffär AB, Truckvägen 12, P.O. Box 805, SE-194 28 Upplands Väsby (Stockholm), Sweden.
Telephone: +46 8 555 247 00 Fax: +46 8 555 247 90 E-mail: info@axel-larsson.se