

SWITCH BOX

AL 760-E10

Description

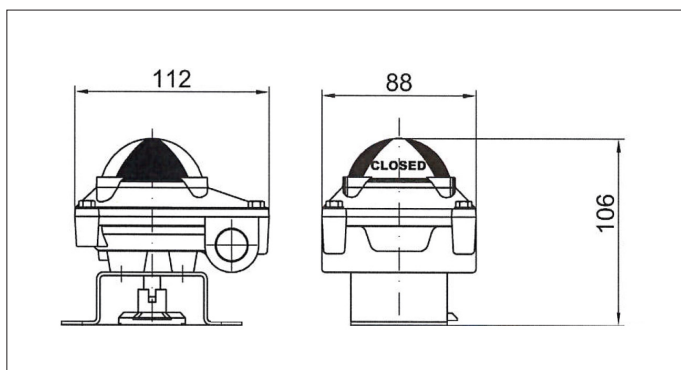
Switch box for indicating open or closed position on automated valves. The box is equipped with mechanical switches that are easy to adjust and also has a large dome for clear visual indication of the valve position.

Technical data

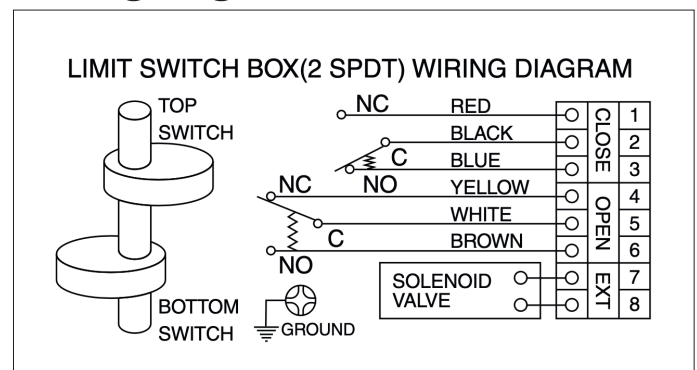
- Article number 2607019
- Housing of cast aluminium, powder coated.
- Stainless steel shaft and cover bolts
- Stainless steel mounting bracket VDI/VDE 3845, dim. 30x80 mm.
- Temperature range: -20°C to +80°C
- Protection class IP 67
- 2 cable entry M20
- Very easy setting of cams
- Micro switches 2 x Omron SPDT. 250 VAC/3 A and 24 VDC/4 A
- Free terminals for connecting the solenoid valve



Dimensions



Wiring diagram



Optional

- Cable gland in polyamide (article number 2607612)
- Blind plug in polyamide M20 (article number 2607613)
- Cable gland in nickel-plated brass (article number 2607025)
- Blind plug in nickel-plated brass M20 (article number 9898808)



2607612



2607613



2607025



9898808



AXEL LARSSON 

Telephone +46 10 455 97 00 • sales@axel-larsson.se • www.axel-larsson.se

Head Office: Truckvägen 12, P.O. Box 805, SE-194 28 Upplands Väsby (Stockholm), Sweden.